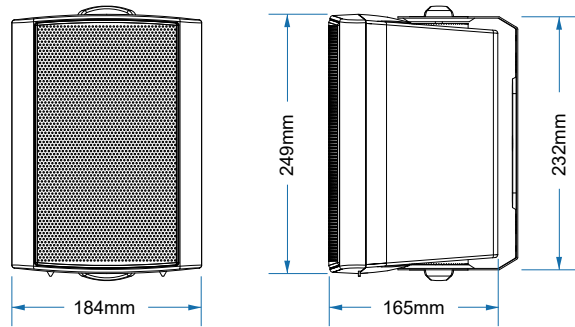
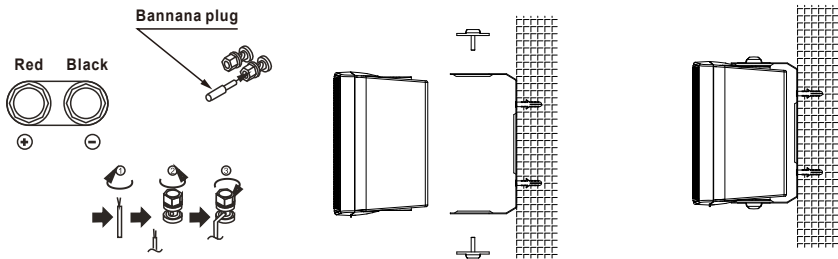


Dimension:**Installation Steps:**

1.1 Drill 2 installation holes suitable for $\Phi 6$ mm expansion rubber plugs on the wall, the distance between the holes is 144mm, and install $\Phi 6$ mm expansion rubber plugs.

2.Remove the product bracket, align it with the pre-installed expansion rubber plug on the wall, lock the ST4.0 self-tapping screw, and fix the bracket on the wall.



3.Connect the audio cable, and then fix the product on the stand.

4.Adjust the desired angle of the speaker

**Wall Mount Speaker****TCI-430B*****User's Manual***

Dear customers:

Your use of the this speaker series,we would like to extend my heartfelt thanks to you, the commitment to keep its quality.

Our speakers are widely used for hotels, commercial buildings, supermarkets, schools, leisure and entertainment venues, is your ideal choice.

For your installation, commissioning and use of this product, the installation please read this note.

Safety Tips

- Please be sure to use the former reading detailed notes.
- Really pay attention to this manual and a safety with the important warning.
- Recommend that you keep this manual for future reference.

Common warning signs and security

The manual shown warning signs and security is to prevent the improper operation due to personal injury arising from the loss of property, please read before using this product must understand that this manual security symbols and Warning to indicate fully aware of potential risks.

	Warning Such as the inappropriate use of staff will cause injury, death and property damage.
--	---

When installed loudspeakers

- Definitely will not be allowed to speakers and any exposure in the rain-wet or water, may be inconsistent with ,or fire.
- Restricted by the provisions of the speakers on the voltage, such as the us of high voltage may cause electric shock or fire disaster. Is no pruning, distorted, or replacement of damaged wires.
- Avoid instability in the installation or set up speakers, such as shaking the table or flat surface , the speaker can avoid falling caused personal injury or property damage.
- Speakers will be installed in support of the speaker or the weight of a solid shelf. Speaker swap can be avoided caused personal injury or property damage.
- Wet hands must not be admitted into or plugs, may lead to electric shocks.
- The allocation of plugs, make sure that pull plugs, rather than pull wires.
The use of a damaged power line of machinery may cause fire or electric shock.
- Mobile speaker, you plug the prior allocated. If the speaker and plugs may be moving together will cause fire or electric shock.For plugs,identified as plugs for grip.
- Will not be allowed to speakers on the vent cover,may cause internal heating caused by the fire.
- Avoid speakers installed in the humidity or dust, direct contact with the sun from the near-electric, or smoke or steam, may cause fire or electric shock

General Specification	
Model	TCI-430B
Frequency Response	90Hz-20KHz
Sensitivity	89±3dB
Rated power	30W
Line input	100V
Dimension(mm)	184*165*249
Physical Specification	
Material	HIPS
Grill	Powder Coated Iron Mesh
Component(L.Speaker)	5" PP Woofer
Component(H.Speaker)	1" PEI
Finished Colour	White/Black
Unit Weight	2.5Kg
Woofer Speaker Specification	
Voice Coil Size	ASV 25.9 *Φ0.17*2T
DC Impedance	7.2Ω
Former	Asv
Magnet	Ferrite(305g)
	Φ80*Φ32*15(Y30)
Basket	Iron
Cone Material	PP
Spider	Cloth
Dust cap	PP
Net Weight	820g