

User Manual



UHF Wireless Microphone

Thank you for purchasing our **UHF Wireless Microphone**.

Please carefully follow the instructions in this manual to ensure long, trouble-free use of the equipment.

SAFETY PRECAUTIONS

※ **Warning: Be careful to prevent electric shock or fire. The machine must be protected from rain or humid environment.**

1. When using the host, avoid placing it in a dead spot to ensure good signal reception.
2. When using the handheld microphone, please do not throw or drop it away to avoid serious damage.
3. Please stay away from electromagnetic fields, high-voltage power grids and large metal objects.
4. Please do not disassemble it by yourself. There is high voltage inside that may hurt your body.
5. When replacing the battery, be sure the microphone is OFF.
6. If the receiver is not used for a long time, please unplug the AC power plug.
7. If the microphone is not used for a long time, please remove the battery to prevent battery leakage.
8. If the machine falls or foreign matter enters the machine, do not continue to use it.

Contact your local dealer or service center immediately. Do not disassemble and repair it yourself.

There is a risk of electric shock to you due to high voltage.

9. This machine does not contain any parts that can be modified. Please do not disassemble and modify it by yourself, otherwise you will loss the warranty rights.
10. For adequate ventilation, the minimum gap around the machine is 30mm.
11. The ventilation hole should not be covered by articles such as newspapers, tablecloths and curtains, etc.
12. Don't place flame source on the machine, such as a lit candle, should be placed on this machine.
13. When disposing of batteries, do not throw them away. Please put them into the designated recycling bin.
14. This machine can be used normally in tropical/temperate climate conditions.
15. The machine should not be exposed to water drops or splashes, and liquid-filled objects such as vases should not be placed on the machine.
16. **The receiver should be placed higher than one meter from the ground and more than 1 meter from the wall. The antenna should be vertical. Otherwise, the reception effect will be affected.**

Features**Audio Matrix Function**

The system is equipped with an audio matrix function. Short press the matrix button to turn the function on or off. When the matrix function is turned on, it supports multiple conference units to pick up sound from different distances and to prevent howling, making the human voice clearer and more authentic.

Linkage Connection

It has built-in conference chair system function and built-in online function, which is convenient for customers to quickly debug in the conference room. It can be connected to four conference hosts to form a small wireless conference system for multiple people to use. It can set up chairperson, representative, and other functions.

Fixed-point Frequency Sweeping

The primary purpose of the fixed-point sweep function is to monitor for non-continuous, intermittent interference. Automatic sweeping cannot accurately identify such interference of varying durations. Press and hold the SET button, then within 1 second, press the chairman button. The corresponding channel will enter fixed-point sweep mode. During fixed-point sweep, if the number displayed on the host screen is higher than 155, the current channel is absolutely clean and usable, free of any interference. If the number is between 140-155, the channel has a weak signal but is usable within 20 meters without any noise or interruptions. If the number is lower than 140, the channel already has a relatively strong signal. If the operating distance exceeds 10 meters, it is recommended to change the channel frequency. If the range is within 10 meters, it is barely usable. After entering fixed-point sweep mode, briefly press the SET button again to exit fixed-point sweep mode.

Automatic Frequency Sweeping

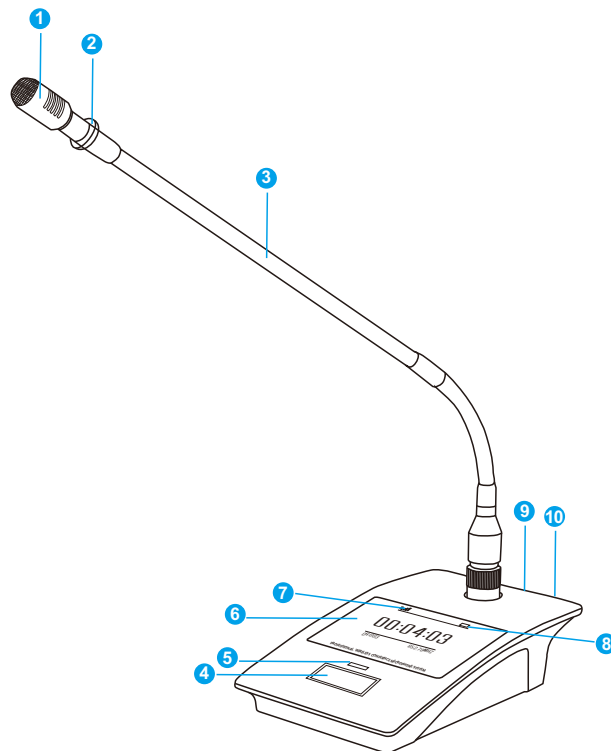
Press and hold the SET function button, then press the adjust button within 1 second, the corresponding channel will enter the automatic frequency sweep mode. The automatic frequency sweep mode will directly use the signal strength data above 155 to search for a clean

FfcbhDUbY Receiver



1. Channel setting button (tap) Chairman setting button.
2. Frequency number setting key
3. Transmitter battery level display
4. Operating frequency of the receiver
5. Button Lock
6. Microphone level signal strength indicator
7. Antenna receiving signal strength
8. Microphone level volume output indicator
9. Infrared matching receiving light
10. Infrared frequency setting button (press)
11. Frequency and volume settings (rotate left or right)
Button lock (long press)
12. Feedback working indicator light (Constantly on)
13. Feedback matrix setting button (press)
14. Power Switch

Instruction of Microphone



- ① Microphone capsule
- ② Microphone working indicator light
- ③ Microphone rod
- ④ Mute switch
- ⑤ Mute working indicator
- ⑥ LCD display
- ⑦ Microphone transmit level display
- ⑧ Battery level display
- ⑨ Infrared matching frequency indicator
- ⑩ Microphone power switch

Specification of Receiver

1. UHF Wireless Microphone Conference Set (1 Receiver + 4 Desktop Gooseneck Mic)
2. Frequency range: 640-690MHz
3. Modulation mode: broadband FM
4. Adjustable range: 50MHz
5. Number of channels: 200
6. Channel spacing: 250KHz
7. Frequency stability: within 0.005%
8. Dynamic range: 100dB
9. Maximum frequency offset: ± 45 KHz
10. Audio response: 80hz-18khz (3db)
11. Comprehensive signal-to-noise ratio: > 105 dB
12. Comprehensive distortion: $\leq 0.5\%$
13. Working temperature: -10°C - $+40^{\circ}\text{C}$

Specification of Transmitter

1. Receiver mode: secondary frequency conversion superheterodyne
2. Intermediate frequency: first intermediate frequency: 110MHz and second intermediate frequency: 10.7MHz
3. Wireless interface: BNC/50 Ω
4. Sensitivity: 12 dBV (80dBS/N)
5. Sensitivity adjustment range: 12-32 dBV
6. Stray suppression: ≥ 75 dB
7. Maximum output level: +10 dBV
8. Antenna program: The piggyback transmitter uses a quarter-wavelength whip antenna.
9. Handheld microphone with built-in spiral antenna. Single 24V power supply in the pocket. Can be connected to the market power supply, condenser microphone.
10. Output power: high power 30mW; ; Low power 3mW
11. Stray suppression: -60dB
12. Power supply: three AA batteries
13. Service time: more than 10 hours at 30mW.
14. At 3mW, it is larger than 15 small conference units, with 2.4-inch TFT color display screen, with speech timing and mute function.



CAUTION: Do not open the equipment cover arbitrarily, so as not to electric shock. Please contact the professionals to maintain if necessary.